



Basketball

篮 球

Technical Handbook
技术手册



Basketball
Technical Handbook
篮球技术手册

（修订版）

6th East Asian Games,
Tianjin 2013
第六届东亚运动会，天津2013



I. General Schedule / 02

II. Organizations / 04

1. East Asian Games Association (EAGA) / 04
2. The 6th East Asian Games Organizing Committee (EAGOC) / 04
3. Sports Federations / 05
4. Technical Delegate / 05

III. Competition Information / 06

1. Dates / 06
2. Venues / 06
3. Events / 06
4. Competition Schedule / 06
5. Eligibility / 10
6. Entries / 10
7. Competition Methods / 11
8. Medical Control / 13
9. Equipment / 14

IV. Competition Management / 15

1. Technical Officials / 15
2. Meetings / 16
3. Uniforms / 16
4. Victory Ceremony / 16

V. Approval of Technical Handbook / 17

VI. Introduction to Tianjin / 18

1. Overview / 18
2. Useful Information / 20

VII. Weather Information / 22

1. Climate / 22
2. Tips / 24

VIII. Competition Venues Map / 25

I. 第六届东亚运动会竞赛总日程表 / 26

II. 组织结构 / 28

1. 东亚运动会联合会 (EAGA) / 28
2. 第六届东亚运动会组织委员会 (EAGOC) / 28
3. 体育联合会 / 29
4. 技术代表 / 29

III. 竞赛信息 / 30

1. 日期及地点 / 30
2. 场 馆 / 30
3. 比赛项目 / 30
4. 比赛日程表 / 31
5. 参赛资格 / 34
6. 报 名 / 34
7. 比赛方法 / 35
8. 医务监督 / 37
9. 器 材 / 38

IV. 竞赛管理 / 39

1. 技术组织 / 39
2. 会 议 / 39
3. 比赛服装 / 40
4. 颁 奖 / 40

V. 技术手册认可 / 41

VI. 天津市简介 / 42

1. 天津市概况 / 42
2. 常用信息 / 43

VII. 气象资料 / 44

1. 天津气候概况 / 44
2. 建议服装 / 45

VIII. 地 图 / 46

I. General Schedule



SN	Sport		Oct 5 Sat	Oct 6 Sun	Oct 7 Mon
			-1 day	Day 1	Day 2
	Opening Ceremony			●	
1	Aquatics	Swimming			
		Diving			○
2	Athletics				◎
3	Badminton				
4	Baseball			○	◎
5	Basketball	Men			
		Women			
6	Bowling				○
7	Cycling	Track			
		Road			
8	DanceSport				◎
9	Dragon Boat				
10	Fencing				◎
11	Football	Men		○	
		Women			◎
12	Gymnastics				
13	Hockey	Men			◎
		Women		○	
14	Judo				
15	Karate				
16	Shooting				◎
17	Soft Tennis				
18	Squash		◎	◎	◎
19	Table Tennis				○
20	Taekwondo				◎
21	Tennis		○	○	○
22	Volleyball	Men		◎	◎
		Women		○	○
23	Weightlifting				◎
24	Wushu	Taolu			○
		Sanda			◎
	Closing Ceremony				

Key: ● Opening/Closing Ceremony ○ ◎ Competition Day

Oct 8 Tue	Oct 9 Wed	Oct 10 Thu	Oct 11 Fri	Oct 12 Sat	Oct 13 Sun	Oct 14 Mon	Oct 15 Tue
Day 3	Day 4	Day 5	Day 6	Day 7	Day 8	Day 9	Day 10
		⊙	⊙	⊙	⊙	⊙	
⊙	⊙						
⊙	⊙	⊙	⊙	⊙	⊙		
⊙	⊙	⊙	⊙	⊙	⊙	⊙	
	⊙	⊙	⊙	⊙	⊙	⊙	
	⊙	⊙	⊙		⊙	⊙	
⊙	⊙	⊙	⊙	⊙	⊙	⊙	⊙
						⊙	⊙
					⊙		
⊙							
					⊙		⊙
⊙	⊙	⊙	⊙	⊙			
⊙		⊙		⊙		⊙	
	⊙		⊙				
	⊙		⊙		⊙		
⊙						⊙	⊙
					⊙	⊙	
⊙	⊙	⊙					
		⊙	⊙	⊙	⊙	⊙	
⊙	⊙	⊙					
⊙	⊙	⊙					
⊙	⊙	⊙	⊙	⊙	⊙	⊙	
⊙	⊙	⊙	⊙	⊙	⊙		
⊙	⊙	⊙	⊙	⊙	⊙		
⊙							
⊙	⊙						
⊙	⊙						
							●

II. Organizations



1. East Asian Games Association (EAGA)

Address: Room 311, 9 Ti Yu Guan Rd., Beijing, China
(Post Code: 100763)
Telephone: (86)10-87182327 (86)10-67128446
Facsimile: (86)10-67128449

President: LIU Peng (China)
Honorary President: Timothy FOK(Hong Kong, China)
Vice Presidents: YU Zaiqing (China)
Victor HUI(Hong Kong, China)
Secretary General: SONG Luzeng (China)

2. The 6th East Asian Games Organizing Committee (EAGOC)

Address: 90 Wei Jin Nan Rd., Nankai Dist., Tianjin,
China (Post Code: 300381)
Telephone: (86) 22-23934338
Facsimile: (86) 22-23934318
E-mail: tianjin2013eag@vip.sohu.com
Website: www.tianjin2013.cn

President: HUANG Xingguo (China)
Vice Presidents: YU Zaiqing (China) DUAN Shijie (China)
YANG Shu'an (China) ZHU Liping (China)
CAO Xiaohong (China)
Secretary General: WANG Jinsheng (China)

3. Sports Federations

3.1 East Asian Basketball Association (EABA)

President: XIN Lancheng (China)

Secretary General: Jaemin Lee (Korea)

Address: c/o HKBA Olympic House #1006, Stadium Path,
So Kon Po Causeway Bay, Hong Kong

Telephone: +85 2 2504 8181

Facsimile: +85 2 2504 2112

3.2 Chinese Basketball Association (CBA)

President: YU Zaiqing

Secretary General: XIN Lancheng

Address: Floor 14, Talent International Building, No.80,
Guangqumennei Avenue, Dongcheng District,
Beijing, China

Telephone: (86) 10-51696007

Facsimile: (86) 10-51696004

4. Technical Delegate

Technical Delegate: Jaemin Lee (Korea)

Appointed by EABA

III. Competition Information

1. Dates

The 6th East Asian Games Basketball competition will be held in Tianjin College Students' Stadium from 9th to 14th October 2013.

2. Venues

2.1 Competition Venue

The 6th East Asian Games Basketball competition will take place in Tianjin College Students' Stadium. The Gymnasium is located at No. 399, Binshui West Road of Xiqing District in Tianjin. The main hall is the competition venue with a seating capacity of 5,600.

2.2 Training Venue

The subsidiary hall of Tianjin College Students' Stadium is the training venue.

3. Events

The 6th East Asian Games Basketball competition will consist of men's and women's tournaments.

4. Competition Schedule

4.1 Participating Teams:

Men: China, Hong Kong china, Japan, Korea, Mongolia, Chinese Taipei, Guam

Women: China, Hong Kong china, Japan, Mongolia, Chinese Taipei, Guam

4.2 Competition Groups:

Men		Women	
Men- Group A	Men-Group B	Women-Group A	Women-Group B
A1	B1	A1	B1
A2	B2	A2	B2
A3	B3	A3	B3
A4			

4.3 Competition Schedule:

Date	Time	Match No.	Group	Round	Competitors			Remarks
						VS		
9 Oct	11:00	1	Women-Group A	I	WA1	VS	WA2	
	13:00	2	Men-Group A		MA1	VS	MA4	
	15:00	3	Men-Group A		MA2	VS	MA3	
	18:00	4	Women-Group B		WB1	VS	WB2	
	20:00	5	Men-Group B		MB1	VS	MB2	
10 Oct	11:00	6	Women-Group B	II	WB3	VS	WB1	
	13:00	7	Men-Group A		MA4	VS	MA2	
	15:00	8	Men-Group A		MA1	VS	MA3	
	18:00	9	Women-Group A		WA3	VS	WA1	
	20:00	10	Men-Group B		MB3	VS	MB1	

Date	Time	Match No.	Group	Round	Competitors			Remarks
11 Oct	11:00	11	Women Group-A	III	WA2	VS	WA3	
	13:00	12	Men-Group B		MB2	VS	MB3	
	15:00	13	Men-Group A		MA1	VS	MA2	
	18:00	14	Women-Group B		WB2	VS	WB3	
	20:00	15	Men-Group A		MA3	VS	MA4	
12 Oct	18:00	16	Men	Ranking Round	3 rd Place Team-Group A	VS	3 rd Place Team-Group B	
13 Oct	11:00	17	Women	Ranking Round	3 rd Place Team-Group A	VS	3 rd Place Team-Group B	
	13:00	18	Women	Semi Finals	1 st Place Team-Group A	VS	2 nd Place Team-Group B	
	15:00	19	Men		1 st Place Team-Group A	VS	2 nd Place Team-Group B	
	18:00	20	Men		2 nd Place Team-Group A	VS	1 st Place Team-Group B	
	20:00	21	Women		2 nd Place Team-Group A	VS	1 st Place Team-Group B	

Date	Time	Match No.	Group	Round	Competitors			Remarks	
14 Oct	11:00	22	Men	Ranking Round	4 th Place Team-Group A	VS	3 rd Place Team-Group B		
	13:00	23	3 rd /4 th – Men	Finals	Loser/19 th Match	VS	Loser/20 th Match		
	15:00	24	Men's Final		Winner/19 th Match	VS	Winner/20 th Match		
	16:45	Victory Ceremony							
	18:00	25	3 rd /4 th - Women	Finals	Loser/18 th Match	VS	Loser/21 th Match		
	20:00	26	Women's Final		Winner/18 th Match	VS	Winner/21 th Match		
	21:45	Victory Ceremony							

Note: Oct. 12 is the rest day, except for game #16. This Schedule is subject to changes depending on the final number of entries and the requirement of TV broadcasting.

5. Eligibility

5.1

The NOCs of participating countries and regions are the only representatives for their athletes taking part in the 6th East Asian Games Basketball competition.

5.2

Only competitors who comply with East Asian Games Association (EAGA) Constitution and the Constitution & Rules of the Olympic Council of Asia (OCA) are entitled to participate.

6. Entries

Entry procedures will be conducted in accordance with the relevant provisions of the Olympic Council of Asia (OCA) Constitution & Rules.

6.1 Entry by Number

Deadline: 24:00 , April 30, 2013 (Beijing local time)

6.2 Entry by Name

Deadline: 24:00 , August 31, 2013 (Beijing local time)

The completed Entry by Name Forms with all necessary information including the athlete's full name as shown in passport must be submitted for each athlete. NOCs can only make changes or submit additional information on Entry by Names Forms on or before the deadline, (i.e. 31st August 2013). No any amendment will be permitted after the deadline.

6.3 Numbers of Participants:

Each NOC may enter one men's team and one women's team with maximum of twelve (12) players and six (6) officials for each team (1 team manager, 1 doctor, 1 coach, 1 assistant coach, 1 interpreter and 1 referee).

7. Competition Methods

7.1 Competition Rules

The 6th East Asian Games Basketball competition shall be conducted in accordance with the current FIBA Rules. In case of disagreement in interpretation of the Rules, the English text shall prevail. Any unforeseen incident not covered by the Rules shall be resolved as follows:

- General Issues: Resolved in accordance with the EAGA Constitution.
- Technical Issues: Resolved in accordance with the spirit of the latest FIBA Rules.

7.2 Competition Format

The 6th East Asian Games Basketball Competition of both Men's and Women's Group shall be grouped by the draw. The competition teams will be divided into Group A and Group B according to the result of the draws of both Men's Group and Women's Group. After the draw for grouping, each team will go through the following two stages of competition for its final ranking

- The 1st Stage: (Group Preliminaries)

In the group preliminary stage, each group shall be ranked by single cycling. The first 2 teams in Group Preliminaries in each group shall enter the 2nd Stage of competition directly.

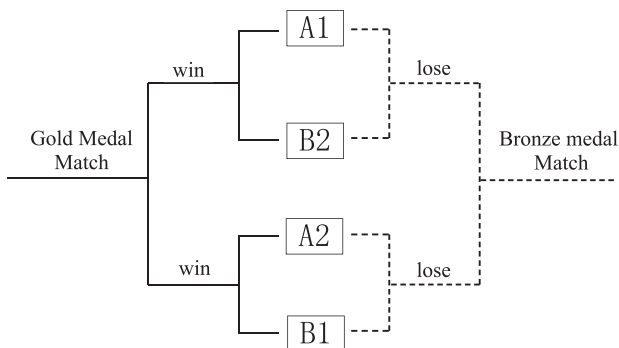
- The 2nd Stage: (Semi Finals, Final, rankings)

(1)Semi Finals: The first two teams in Group Preliminaries will meet in the semi finals as follows:

A1 VS B2 , A2 VS B1

(2)Finals: The winners in the 2 semi finals will meet in the Gold Medal match; the losers will meet in the Bronze Medal match.

View Draw for the 2nd Stage



(3) Rankings:

In women competition, two teams in third place in Group Preliminaries will meet as follows in the rankings: A3 VS B3

The winning team will be ranked fifth place and the losing team at sixth place.

(4) In men competition, teams ranking 3rd and 4th place of Group A and the team ranking 3rd place of Group B will play a single cycling to decide ranking of 5th, 6th and the 7th place. Three teams will meet as following: A3 vs. B3, A4 vs. B3.

7.3 Draw

The 6th East Asian Games Organizing Committee (EAGOC) and CBA will conduct the draw to decide the grouping under the supervision of EABA Secretary General or appointed official representatives. The draw shall be held on 16: 30, 3rd October 2013 in Tianjin College Gymnasium.

8. Medical Control

8.1 Doping Control

Doping control for all events of the 6th East Asian Games will be conducted according to EAGA Medical Committee instructions and will follow the procedures specified by the World Anti-Doping Agency (WADA).

8.2 Points for Attention

When an athlete is notified to be tested against the Doping Control after the match, he /she must go to the Doping Control Station(DCS) with a registered ID Card. The athlete may not go out of the sight of the escort or urinate before arriving at the DCS. The athlete may have a team member present throughout the entire process (a minor must have one). Those who are notified, but fail or refuse to arrive at the designated DCS may constitute an anti-doping rule violation.

9. Equipment

9.1

All the equipment and installations shall be in conformity with the Rules and Regulations of FIBA.

9.2

The basketballs used in the matches shall be in conformity with the Rules and Regulations of FIBA.

IV. Competition Management

The responsibility for the management of the Basketball competition will be assumed by the competition organization officials appointed by EAGOC and from CBA under the guidance of the Technical Delegate appointed by EABA.

1. Technical Officials

1.1 Technical Committee

The Technical Committee shall consist of three (3) persons, including EABA Secretary General, a representative of EAGOC and a third member they have jointly selected.

1.2 Jury of Appeal

The Jury of Appeal will be formed during the Team Managers Meeting.

1.3 Technical Officials

Each participating team must include one (1) FIBA referee in its delegation. If an EAGA member enters both men's and women's teams, two (2) FIBA referees may be included. All referees and commissioners must be in possession of an FIBA international referee's or commissioner's license valid for 2014. With the approval of EABA, neutral referees and commissioners will be invited by EAGOC and CBA to officiate. The host city shall be responsible for providing scores table officials and the game statistics officials.

2. Meetings

2.1 Team Managers Meeting

The Team Managers Meeting will be held on 8th October 2013 (one day before the competition date). The time at 15:00pm, The venue of the meeting will be announced later.

2.2 Technical Officials Meeting

The Technical Officials Meeting will be held immediately after the Team Managers Meeting. The time at 16:30pm, The venue of the meeting will be announced later.

3. Uniforms

All players participating in the Basketball competition must wear appropriate clothing and apparel that comply with the FIBA Rules.

4. Victory Ceremony

4.1 Victory Ceremony

The victory ceremony will be held after the final match. The awardees must wear their NOC's official clothing.

4.2 Order of Awards

First Place: Gold Medal and diploma shall be presented to each member of the winning team.

Second Place: Silver Medal and diploma shall be presented to each member of the first runner-up team.

Third Place: Bronze Medal and diploma shall be presented to each member of the second runner-up team.

V . Approval of Technical Handbook

The Technical Handbook for the 6th East Asian Games Basketball Competition was approved by the Council of the East Asian Games Association on October 15th, 2012.

VI. Introduction to Tianjin



1. Overview

Tianjin is one of the four municipalities directly under the jurisdiction of the Chinese Central Government, with a current permanent population of 13.55 million, consisting of 16 districts and counties, and occupying a land area of 11,916.9 square kilometers, and with a coastline of 153 kilometers.

Eight hours ahead of GMT, Tianjin lies in the center of the Bohai Bay on the western coast of the Pacific Ocean, between Latitude 38°34' — 40°15' North and between Longitude 116°43' — 118°04' East. It is situated in the northeast of the North Plain in China, about 120 kilometers away from the country's capital city of Beijing.

A major access to the sea in north China, Tianjin has throughout history been an important channel of river and sea transport. As early as in the mid-19th century, it was opened as a trading port, and constant development over the years has made it an important international port and a hub of finance and commerce. The city is conveniently accessible, with well-built facilities for traffic on land, at sea and in the air. Behind, it has a vast hinterland of over two million square kilometers. Externally, it keeps trade contacts with more than 400 harbors of over 180 countries and regions, with a cargo handling capacity exceeding 450 million tons, which ranks the city at the fourth place in the world, and a standard container handling capacity of 11.58 million, standing at the 11th place in the world. Tianjin Binhai International Airport is the largest air transport hub in north China and a major freight distributing center in northeast Asia.

First built over 600 years ago, Tianjin is renowned for its splendid history and culture, boasting more than 100 “firsts” in the history of modern China. In recognition of its rich legacy of historical and cultural relics and remains, the city is reputed as “an epitome of modern China in the past hundred years”. Tianjin is also acclaimed as “an expo of western-style architectures”, with a total of 710 of its exotic buildings identified to be put under protection and preservation. Yang Liu Qing New Year Pictures, Zhang’s Painted Clay Figurines and Wei’s Kites are some of its folk arts known all over the country. A cradle of talented cross-talkers and opera performers, it is called “a center of Peking Opera” and “the land of northern Chinese folk arts”. It is also the birthplace of the modern drama in China.

Tianjin is among the first cities recognized as the country’s most outstanding tourist destinations. Natural tourism resources abound, including mountains, rivers, lakes, sea, springs, wetland, and so on. Representative natural landscapes and places of historical and cultural interests include the scenic spot in Jixian County, the sea-front, the Drum Tower commercial and business street, the Western-style buildings along Wu Da Dao, the Italian-style street, the ancient culture street, the food street, the Tong Luo Wan tourist area in the heart of the city, to name just a few.

Tianjin is an economic center undergoing booming development. As far as the past five years are concerned, the city witnessed a growth of over 16% in gross output value year-on-year to exceed 1 trillion yuan, which translated into a per capita value of 13,000 US dollars. The Binhai New Area, where the national strategic opening-up and development program is being fully implemented, is fast growing to be a new power in driving the regional economy. Construction of a more livable and eco-friendly city is proceeding fast, with its unique style taking shape, characterized by a grandeur and glamour in its integration of Chinese and Western elements, and a blend of both ancient and modern. In conformity with its positioning by the central authorities, Tianjin is well on the way to becoming an international port city, an economic center in north China and an eco-friendly community.

2. Useful Information

- **Language**

Putonghua (Mandarin Chinese)

- **Time**

Tianjin is eight hours ahead of GMT. It falls within the same time zone as Beijing, using Beijing local time.

- **Voltage**

The standard voltage for residential use is a single-phase AC of 220V/ 50Hz.

- **Diet**

Since ancient times Tianjin has been a renowned producer of fish, shrimp, crabs, clams and other aquatic and marine products. All these, especially seafood, are to the liking of its people. Among its varied traditional flavors, the Goubuli Steamed Bun with Meat Stuffing, the 18th Street Fried Dough Twists and the Er Duo Yan Er Fried Cakes are reputed as “three unique delicacies of Tianjin” enjoying tremendous popularity throughout the world. Historically an important trading port witnessing ceaseless traveling to and fro between the north and south and frequent exchanges with the outside world, varied styles of cooking –Shandong, Shanxi, Henan, Fujian, Guangdong, Zhejiang, and so on – have come to take root here in Tianjin. Court-style dishes and western delicacies are also among the favorites of the local diners.

- **Useful Numbers**

Telephone Enquiries: 114

Health Emergencies / Ambulance: 120

Fire: 119

Police and Traffic Accidents:110

- **Banks and Foreign Currency Exchange**

The yuan, also called renminbi (RMB), is the local unit of currency and all banks in Tianjin provide RMB services. Foreign currency can be exchanged at any branch of Bank of China. The rate of exchange of foreign currencies to RMB will depend on the quoted exchange rate given that day. Please note that foreign currency cannot be used to pay for any goods or services in China. Most business in China now accepts international credit cards including MasterCard, Visa, American Express and JCB.

VII. Weather Information



1. Climate

Located to the east coast of the Euro-Asia Continent on the middle latitude, Tianjin belongs to the monsoon region of east Asia is chiefly under the influence of the continental climate. It is characterized by distinct seasons – spring is usually windy and dry with only occasional rainfalls; summer is hot, with most of the rainfalls in the year; autumn is cool with comfortable temperatures; and winter is cold and dry without much snow.

Table 1
Statistics of the Climate Data in October in the Urban Area of
Tianjin (1981-2010).

Climate Elements	Means
Mean Temperature (°C)	14.7
Minimum Temperature (°C)	10.5
Maximum Temperature (°C)	20.0
Lowest Temperature Recorded (°C)	-0.1
Highest Temperature Recorded (°C)	31.1
Wind Velocity (m/s)	1.6
Maximum Wind Velocity (m/s)	7.2
Extreme Wind Velocity Recorded (m/s)	14.0
Relative Humidity (%)	60.4
Minimum Relative Humidity (%)	15.1
Monthly Rainfall (mm)	28.2
Monthly Days with Rainfall (d)	4.8
Daily Maximum Rainfall (mm)	114.4
Average Daily Sunshine Duration (h/d)	6.1
Average Daily Sunshine Rate (%)	55
Average Days with Thunderstorms in a month (d)	0.9
Average Monthly Days with light Mist (d)	15.4
Average Monthly Days with Fog (d)	1.7
Average Days with Gust (d)	0.4
Average Days with Frost (d)	1.1

Table 2
Daily Climate Data Statistics in the Urban Areas of Tianjin in October
(2002-2011)

Date	Mean Temperature (°C)	Maximum Temperature (°C)	Minimum Temperature (°C)	Mean Air Pressure (hPa)	Relative Humidity (%)	Wind Velocity (m/s)	Maximum Wind Speed (m/s)
10-1	18.7	22.9	15.4	1017.8	60.0	1.7	2.9
10-2	18.7	24.0	14.3	1018.4	49.8	1.4	3.4
10-3	18.4	23.4	14.3	1018.9	48.4	1.4	3.2
10-4	18.4	23.6	13.8	1018.7	55.2	1.2	2.8
10-5	18.1	24.1	13.8	1016.5	60.7	1.6	3.4
10-6	18.0	22.5	13.8	1016.8	58.6	1.5	3.2
10-7	17.7	22.3	14.1	1017.9	54.5	1.6	3.5
10-8	17.4	22.3	13.8	1018.2	56.7	1.2	3.0
10-9	17.6	22.6	13.6	1018.3	63.3	0.9	2.4
10-10	17.3	21.2	14.2	1019.4	64.9	1.4	3.4
10-11	15.9	20.6	11.7	1020.8	61.9	1.5	3.2
10-12	16.2	21.2	12.2	1020.5	58.6	1.3	3.5
10-13	16.2	20.5	12.8	1019.5	55.4	1.4	3.3
10-14	16.3	21.3	12.1	1018.9	46.2	1.5	3.7
10-15	16.2	22.1	11.0	1017.8	49.6	1.5	3.0

2. Tips

Tianjin is in the transition from summer to autumn in October during which you will enjoy comfortable temperatures. Light cotton clothing is recommended, while sweaters and jackets are sometimes necessary for cooler mornings and evenings.

I. 第六届东亚运动会竞赛总日程表

序号	项目		5/10 (六)	6/10 (日)	7/10 (一)
			-1天	第1天	第2天
	开幕式			●	
1	游泳	游泳			
		跳水			◎
2	田径				◎
3	羽毛球				
4	棒球			◎	◎
5	篮球	男篮			
		女篮			
6	保龄球				◎
7	自行车	场地			
		公路			
8	体育舞蹈				◎
9	龙舟				
10	击剑				◎
11	足球	男足		◎	
		女足			◎
12	体操				
13	曲棍球	男子			◎
		女子		◎	
14	柔道				
15	空手道				
16	射击				◎
17	软式网球				
18	壁球		◎	◎	◎
19	乒乓球				◎
20	跆拳道				◎
21	网球		◎	◎	◎
22	排球	男排		◎	◎
		女排		◎	◎
23	举重				◎
24	武术	套路			◎
		散打			◎
	闭幕式				

说明：● 为开、闭幕式；◎ ◎为比赛日



8/10 (二)	9/10 (三)	10/10 (四)	11/10 (五)	12/10 (六)	13/10 (日)	14/10 (一)	15/10 (二)
第3天	第4天	第5天	第6天	第7天	第8天	第9天	第10天
		◎	◎	◎	◎	◎	
◎	◎						
◎	◎	◎	◎	◎	◎		
◎	◎	◎	◎	◎	◎	◎	
	◎	◎	◎	◎	◎	◎	
◎	◎	◎	◎	◎	◎	◎	◎
						◎	◎
					◎		
◎					◎		◎
◎	◎	◎	◎	◎			
◎		◎		◎		◎	
	◎		◎	◎	◎	◎	
◎		◎		◎			
	◎		◎		◎		◎
					◎	◎	
◎	◎	◎					
		◎	◎	◎	◎	◎	
◎	◎	◎					
◎	◎	◎	◎	◎			
◎	◎						
◎	◎	◎	◎	◎	◎	◎	
◎	◎	◎	◎	◎	◎		
◎							
◎	◎						
◎	◎						●

II. 组织结构



1. 东亚运动会联合会 (EAGA)

地 址: 中国北京市体育馆路 9 号 311 室 (邮编: 100763)

电 话: (86)10-87182327 (86)10-67128446

传 真: (86)10-67128449

主 席: 刘 鹏 (中国)

名誉主席: 霍震霆 (中国香港)

副 主 席: 于再清 (中国)

许晋奎 (中国香港)

秘 书 长: 宋鲁增 (中国)

2. 第六届东亚运动会组织委员会 (EAGOC)

地 址: 中国天津市南开区卫津南路 90 号 (邮编: 300381)

电 话: (86) 22-23934338

传 真: (86) 22-23934318

邮 箱: tianjin2013eag@vip.sohu.com

网 址: www.tianjin2013.cn

主 席: 黄兴国 (中国)

副 主 席: 于再清 (中国) 段世杰 (中国)

杨树安 (中国) 朱丽萍 (中国)

曹小红 (中国)

秘 书 长: 王津生 (中国)

3. 体育联合会

3.1 东亚篮球协会 (EABA)

主 席：信兰成 (中国)

秘 书 长：李在珉 (韩国)

地 址：c/o HKBA Olympic House #1006, Stadium Path, So Kon
PoCauseway Bay, Hong Kong

电 话：+85 2 2504 8181

传 真：+85 2 2504 2112

3.2 中国篮球协会 (CBA)

主 席：于再清

秘 书 长：信兰成

地 址：中国北京市东城区广渠门内大街80号通正国际大厦14层

电 话：(86) 10-51696007

传 真：(86) 10-51696004

4. 技术代表

技术代表：李在珉 (韩国)

指派单位：东亚篮球协会 (EABA)

III. 竞赛信息



1. 日期及地点

第六届东亚运动会篮球赛事将于2013年10月9日至14日在天津市大学生体育馆举行。

2. 场馆

2.1 比赛场馆

篮球比赛将在天津市大学生体育馆举行。天津市大学生体育馆位于天津市西青区宾水西道399号。主馆为比赛场地，座位容量5600个。

2.2 练习场馆

天津市大学生体育馆副馆为训练场馆。

3. 比赛项目

本届东亚运动会篮球比赛设有男子和女子篮球两项比赛。

4. 比赛日程表

4.1 参赛单位:

男子: 中国、香港、日本、韩国、蒙古、中华台北、关岛

女子: 中国、香港、日本、蒙古、中华台北、关岛

4.2 比赛分组表(男、女):

男子组		女子组	
男子A组	男子B组	女子A组	女子B组
A1	B1	A1	B1
A2	B2	A2	B2
A3	B3	A3	B3
A4			

4.3 比赛日程表(男、女):

日期	时间	场序	组别	轮次	比赛对阵			备注
10月9日	11:00	1	女子A	I	WA1	VS	WA2	
	13:00	2	男子A		MA1	VS	MA4	
	15:00	3	男子A		MA2	VS	MA3	
	18:00	4	女子B		WB1	VS	WB2	
	20:00	5	男子B		MB1	VS	MB2	
10月10日	11:00	6	女子B	II	WB3	VS	WB1	
	13:00	7	男子A		MA4	VS	MA2	
	15:00	8	男子A		MA1	VS	MA3	
	18:00	9	女子A		WA3	VS	WA1	
	20:00	10	男子B		MB3	VS	MB1	
10月11日	11:00	11	女子A	III	WA2	VS	WA3	
	13:00	12	男子B		MB2	VS	MB3	
	15:00	13	男子A		MA1	VS	MA2	
	18:00	14	女子B		WB2	VS	WB3	
	20:00	15	男子A		MA3	VS	MA4	

日期	时间	场序	组别	轮次	比赛对阵			备注
10月12日	18:00	16	男子	名次赛	男子A组第三	VS	男子B组第三	
10月13日	11:00	17	女子	名次赛	女子A组第三	VS	女子B组第三	
	13:00	18	女子	半决赛	女子A组第一	VS	女子B组第二	
	15:00	19	男子		男子A组第一	VS	男子B组第二	
	18:00	20	男子		男子A组第二	VS	男子B组第一	
	20:00	21	女子		女子A组第二	VS	女子B组第一	

日期	时间	场序	组别	轮次	比赛对阵			备注
10月14日	11:00	22	男子	名次赛	男子A组第四	VS	男子B组第三	
	13:00	23	男子3/4名	决赛	M19负	VS	M20负	
	15:00	24	男冠亚军		M19胜	VS	M20胜	
	16:45	颁奖仪式						
	18:00	25	女子3/4名	决赛	W18负	VS	W21负	
	20:00	26	女冠亚军		W18胜	VS	W21胜	
	21:45	颁奖仪式						

注：10月12日除了第16场比赛的参赛队其余各队均为休息日，本比赛日程表将根据最终报名队数和电视转播需要做出调整。

5. 参赛资格

5.1

各个国家/地区的奥委会是参加第六届东亚运动会篮球赛事运动员的唯一代表。

5.2

只有符合东亚运动会联合会（EAGA）章程和亚洲奥林匹克理事会（OCA）宪章的运动员才有参赛权。

6. 报名

报名程序将按亚洲奥林匹克理事会（OCA）宪章相关规定执行。

6.1 参赛项目人数报名

截止日期是：2013年4月30日24时（北京时间）。

6.2 参赛人员姓名报名

截止日期是：2013年8月31日24时（北京时间）。

所有运动员的参赛报名表必须在截止日期前提交，报名表所需信息须填写完整，包括运动员护照上的全名等。各奥委会成员可在报名截止前（包括当日）（例如：2013年8月31日）对最终报名表做出修改或补充，报名日期截止后不允许做任何变更。

6.3 参赛人员人数

参赛人员人数：各国家/地区奥委会可报男子、女子各1队。每队最多可报12名运动员及6名随队官员（其中1名球队代表、1名医生、1名教练员、1名助理教练、1名翻译、1名裁判员）。

7. 比赛方法

7.1 竞赛规则

第六届东亚运动会篮球比赛将按国际篮联最新审定的篮球规则进行。如因翻译原因对篮球规则的理解出现异议，以英文版为准。出现任何规则以外的不可预见性的问题，可采用以下程序：

- 总体性事项：按东亚运动会联合会（EAGA）章程解决。
- 技术性事项：根据国际篮球联合会(FIBA)最新公布规则之精神解决。

7.2 竞赛方法

第六届东亚运动会篮球比赛男、女两个组别均采用抽签分组的方式进行。参赛球队分别通过各自组别的抽签仪式被分成A、B两个小组。抽签分组后每个队都将通过下列两个阶段的比赛排出最终名次。

- 第一阶段：（小组预赛）

在小组预赛阶段，每组均采用单循环赛制，排出各队名次。各组前两名的球队直接进入第二阶段。

- 第二阶段：（名次赛、半决赛、决赛）

(1) 半决赛：（见图）

获得小组预赛前两名的球队将按下列排列方法进行半决赛：

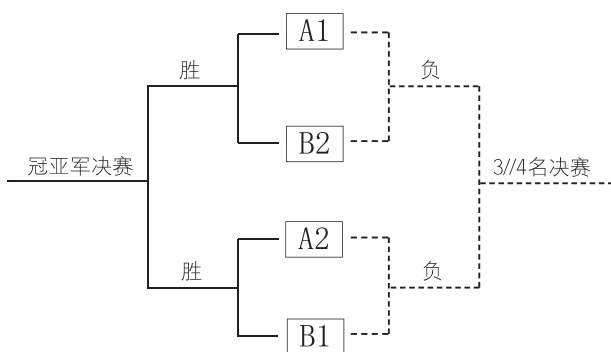
A1对B2

A2 对 B1

(2) 决赛：（见图）

两场半决赛的胜者将进行决赛。两场半决赛的负者将进行季军赛。

第二阶段对阵图



(3) 名次赛:

在女子比赛中，获得小组预赛第三名的两支球队将按下列排列方法进行一场名次赛。胜方为第五名，负方为第六名。
A3 对 B3。

(4) 在男子比赛中，A组的第三名和第四名将与B组的第三名进行单循环赛决出第五名第六名和第七名。小组预赛成绩带入名次赛，三支球队比赛的对阵方法如下：

A3 VS B3 A4 VS B3

7.3 抽签

东亚运动会组织委员会(EAGOC)和中国篮球协会(CBA)将在东亚篮球协会(EABA)秘书长或委派的官方代表的监督下主持抽签仪式，决定分组。男、女篮抽签仪式将于2013年10月3日下午16:30在天津大学生体育馆举行。

8. 医务监督

8.1 兴奋剂检测

第六届东亚运动会的兴奋剂检查工作，将会根据东亚运动会医务委员会的指示以及遵照世界反兴奋剂机构（WADA）的规定程序而展开工作。

8.2 注意事项

运动员在赛后接到兴奋剂检查通知时，必须提供本人注册身份卡，并按要求去兴奋剂检查站报到，在到达兴奋剂检查站之前不得脱离陪护人员的视线，不得排尿。运动员可有一名本队人员陪同（未成年运动员必须有一名陪同）。无故拖延或拒绝兴奋剂检查将构成违反兴奋剂检查规则。

9. 器材

9.1

所有设备、器材必须符合国际篮联(FIBA)的规则和规定。

9.2

比赛用球必须符合国际篮联(FIBA)的规则和规定。

IV. 竞赛管理



竞赛管理的责任由第六届东亚运动会组织委员会(EAGOC)所任命的和隶属于中国篮球协会(CBA)的竞赛组织官员,在东亚篮球协会(EABA)委派的技术代表的指导下承担。

1. 技术组织

1.1 技术委员会

技术委员会由3人组成,分别是东亚篮球协会(EABA)秘书长、第六届东亚运动会组织委员会(EAGOC)的一名代表以及由上述两方共同指定的第三者。

1.2 仲裁委员会

仲裁委员会将在领队会上组成。

1.3 技术代表和裁判员

每个参赛队在其代表团中应包括1名国际篮联注册裁判员。如果东亚运动会联合会成员既参加男子又参加女子比赛,那么该成员将委派2名国际篮联注册裁判员。所有技术代表和裁判员都必须执国际篮联裁判证,期限至2014年。经东亚篮球协会(EABA)同意,中立的国际技术代表和裁判员将被东亚运动会组委会(EAGOC)和中国篮球协会(CBA)邀请执裁。主办城市将负责提供记录台和技术统计官员。

2. 会议

2.1 领队会

领队会议将于2013年10月8日下午15:00举行(比赛开始前一天)。具体地点待定。

2.2 技术官员会议

领队会后即召开技术官员会议。会议时间为10月8日下午16:30.具体地点待定。

3. 比赛服装

比赛时所有运动员必须身着与国际篮联(FIBA)规则规定相一致的比赛服装和外套。

4. 颁奖

4.1 颁奖仪式

颁奖仪式将在决赛后举行，获奖运动员需穿着其所属奥委会制服。

4.2 奖项颁发如下

冠军：授予队伍各成员金牌和证书

亚军：授予队伍各成员银牌和证书

季军：授予队伍各成员铜牌和证书

V. 技术手册认可



第六届东亚运动会篮球赛事的技术手册于2012年10月15日获东亚运动会联合会理事会认可。

VI.天津市简介



1. 天津市概况

天津是中国四大直辖市之一。现有常住人口1355万人，辖16个区县，土地面积11916.9平方公里，海岸线153公里。

天津地处太平洋西岸渤海湾中心地带、中国华北平原的东北部，位于国际时区东八区，北纬 $38^{\circ} 34'$ — $40^{\circ} 15'$ 、东经 $116^{\circ} 43'$ — $118^{\circ} 04'$ 之间。距首都北京约120公里。

天津是中国北方地区重要的出海口。历史上便是河槽、海运重地，19世纪中叶被辟为通商口岸，逐步发展成为重要的国际商埠和金融商贸中心。海陆空交通便捷，天津港对内拥有200多万平方公里的辽阔腹地，对外与180多个国家和地区的400多个港口有贸易往来，货物吞吐量超过4.5亿吨，位居世界第4位，集装箱吞吐量达到1158万标准箱，位居世界第11位。天津滨海国际机场是中国北方最大的货物空运中心和东北亚货运集散地。

天津是中国历史文化名城。筑城建卫已有600多年历史，文化底蕴深厚。曾创造了中国近代历史上的100多项“第一”，近代史迹、文化遗存丰富多彩，有“近代百年中国看天津”之称。现有已认定的历史风貌建筑710幢，被称为“万国建筑博览会”。杨柳青年画、泥人张彩塑、魏记风筝等民间艺术闻名全国。相声、戏剧人才辈出，享有“京剧大码头”、“北方曲艺之乡”的美誉，也是中国话剧艺术的发祥地。

天津是中国首批优秀旅游城市。旅游资源丰富，山、河、湖、海、泉、湿地等旅游资源荟萃。有以自然风光和名胜古迹为特点的蓟县旅游观光区，有海湾特色的滨海旅游区，有鼓楼商贸街、五大道风情街、意式风情街、古文化街、食品街、铜锣湾等市中心旅游区。

天津是正在蓬勃发展的经济中心城市。近5年来，生产总值年均增长16%以上，全市生产总值达到11190.99亿元，人均生产总值达到1.3万美元。滨海新区开发开放的国家发展战

略加快实施，正在成为带动区域经济发展的新的增长极。生态宜居城市建设积极推进，初步形成了大气洋气、清新靓丽、中西合璧、古今交融的城市风格。按照国家明确的城市定位，天津正在努力建设成为国际港口城市、北方经济中心和生态城市。

2. 常用信息

● 通用语言

普通话。

● 时区

东八区，统一使用北京时间。

● 电压

普通居民电压标准是单相、交流220V/ 50Hz。

● 饮食特点

天津自古盛产鱼、虾、蟹、蚌等，人们喜食海鲜、河鲜。天津传统风味食品丰富多彩，狗不理包子、十八街麻花、耳朵眼炸糕等享誉海内外，被誉为“天津三绝”。由于天津历史上便是南来北往、中西交流的重要商埠，鲁、晋、豫、闽、粤、浙等菜系都在天津扎根发展，宫廷菜肴、西方美食在天津也很受欢迎。

● 常用电话

电话查询：114

急救医疗指挥中心：120

火警电话：119

盗警及交通事故报警电话：110

● 银行、货币信息

中国的货币单位是人民币（元）。天津所有银行可办理人民币业务，中国银行网点可办理外汇兑换业务。人民币与外币的比价，因为尚未有外币直接流通，故要根据中国银行当天的牌价进行兑换。目前可使用的国外信用卡主要有：万事达卡(Master Card)、维萨卡(Visa Card)、运通卡(American Express Card)、JCB卡。

VII. 气象资料



1. 天津气候概况

天津位于中纬度欧亚大陆东岸，主要受季风环流的影响，是东亚季风盛行的地区，属大陆性气候。主要气候特征是，四季分明，春季多风，干旱少雨；夏季炎热，雨水集中；秋季气爽，冷暖适中；冬季寒冷，干燥少雪。

表1 天津市区10月气候资料统计表（1981~2010年）

气候要素	数值
平均气温 (°C)	14.7
平均最低气温 (°C)	10.5
平均最高气温 (°C)	20.0
极端最低气温 (°C)	-0.1
极端最高气温 (°C)	31.1
平均风速 (m/s)	1.6
平均最大风速 (m/s)	7.2
极端最大风速 (m/s)	14.0
平均相对湿度 (%)	60.4
平均最小相对湿度 (%)	15.1
平均降水量 (mm)	28.2
平均降水日数 (天)	4.8
最大一日降水量 (mm)	114.4
平均日照时数 (小时/天)	6.1
平均日照百分率 (%)	55
平均雷暴日数 (天)	0.9
平均轻雾日数 (天)	15.4
平均雾日数 (天)	1.7
平均大风日数 (天)	0.4
平均霜日数 (天)	1.1

表2 近10年（2002~2011）天津市区10月逐日气候统计

日期	平均气温 ($^{\circ}\text{C}$)	平均最 高气温 ($^{\circ}\text{C}$)	平均最 低气温 ($^{\circ}\text{C}$)	平均 气压 (hPa)	平均相 对湿度 (%)	平均风 速 (m/s)	平均最大 风速 (m/ s)
10-1	18.7	22.9	15.4	1017.8	60.0	1.7	2.9
10-2	18.7	24.0	14.3	1018.4	49.8	1.4	3.4
10-3	18.4	23.4	14.3	1018.9	48.4	1.4	3.2
10-4	18.4	23.6	13.8	1018.7	55.2	1.2	2.8
10-5	18.1	24.1	13.8	1016.5	60.7	1.6	3.4
10-6	18.0	22.5	13.8	1016.8	58.6	1.5	3.2
10-7	17.7	22.3	14.1	1017.9	54.5	1.6	3.5
10-8	17.4	22.3	13.8	1018.2	56.7	1.2	3.0
10-9	17.6	22.6	13.6	1018.3	63.3	0.9	2.4
10-10	17.3	21.2	14.2	1019.4	64.9	1.4	3.4
10-11	15.9	20.6	11.7	1020.8	61.9	1.5	3.2
10-12	16.2	21.2	12.2	1020.5	58.6	1.3	3.5
10-13	16.2	20.5	12.8	1019.5	55.4	1.4	3.3
10-14	16.3	21.3	12.1	1018.9	46.2	1.5	3.7
10-15	16.2	22.1	11.0	1017.8	49.6	1.5	3.0

2. 建议服装

10月是天津的夏秋之交，气温冷暖适中，宜穿着棉质单衣，早晚温度稍凉，可增添羊毛衫或背心。

VIII. 地图



2013
FINA EAST ASIAN GAMES

第六届东亚运动会

场馆分布图

6TH East Asian Games
Venue maps

- | | | | | | | | | | | | |
|---|--|--|--|---|--|---|---|---|---|---|---|
| 14 天津市大学生体育馆
Tianjin Normal University Gymnasium | 15 天津体育中心自行车馆
Tianjin Sports Center Velodrome | 16 天津体育中心射击馆
Tianjin Sports Center Shooting Range | 17 天津体育中心击剑馆
Tianjin Sports Center Fencing Hall | 18 天津体育中心柔道馆
Tianjin Sports Center Judo Hall | 19 天津体育中心摔跤馆
Tianjin Sports Center Wrestling Hall | 20 天津体育中心跆拳道馆
Tianjin Sports Center Taekwondo Hall | 21 天津体育中心跆拳道馆
Tianjin Sports Center Taekwondo Hall | 22 天津体育中心跆拳道馆
Tianjin Sports Center Taekwondo Hall | 23 天津体育中心跆拳道馆
Tianjin Sports Center Taekwondo Hall | 24 天津体育中心跆拳道馆
Tianjin Sports Center Taekwondo Hall | |
| 25 天津奥林匹克中心游泳跳水馆
Tianjin Olympic Center Swimming and Diving Hall | 26 天津奥林匹克中心体育馆
Tianjin Olympic Center Stadium | 27 天津市民体育馆
Tianjin People's Gymnasium | 28 天津体育中心
Tianjin Sports Center | 29 天津外国语大学体育馆
Tianjin Foreign Studies University Gymnasium | 30 天津水上公园划艇
Tianjin Water Park East Lake | 31 天津奥林匹克中心游泳跳水馆
Tianjin Olympic Center Swimming and Diving Hall | 32 天津奥林匹克中心体育馆
Tianjin Olympic Center Stadium | 33 天津市民体育馆
Tianjin People's Gymnasium | 34 天津体育中心
Tianjin Sports Center | 35 天津外国语大学体育馆
Tianjin Foreign Studies University Gymnasium | 36 天津水上公园划艇
Tianjin Water Park East Lake |

